



Numerical call displays of the NDS series are electronic displaying devices, designed for calling clients in banks, public institutions, healthcare facilities, etc. They are controlled by a keypad with a control display, which is connected to the main display by means of a serial communication line.

Besides displaying selected numerical values, the displays generate a melodic sound signal, which draws clients' attention to the change of the displayed number. In the case of need, the function of the sound signal can be switched off by a program, controlled by the keypad. The displays are manufactured in the models suitable for mounting on walls, or with a holder for mounting on a levelled surface, or for hanging. With their design, they are suitable for the use in demanding architectural interiors. They are supplied in two colour versions – bronze and platinum.



Technical specifications

	Display		Keypad
	NDS 57/4	NDS 57/6	HCU Keyboard RS485
Height of characters	57 mm		10 mm
Number of digits	4	6	6
Format	8888	888888	888888
Readability range	23 m		up to 2 m
Type of display elements	7-segment superbright red LED		LCD
Inputs/outputs	RS485 (united connector RJ-11 6/6 with power supply)		
Power supply	12 VDC		
Class of protection	IP 20		IP 20
Operational temperature	-5 ÷ +35°C		
Dimensions (w x h x d)	284 x 154 x 38 mm	370 x 154 x 38 mm	88 x 150 x 28 mm (w x l x h)
Weight	1.2 kg	1.5 kg	0.16 kg

Standard accessories

- AC adapter 230 VAC/12 VDC, 0.5 A;
- Keypad with LCD control display;
- Junction box with input for connection of power cord of AC adapter;
- 3 m long flat cable (2x RJ-11) for keypad – junction box connection, 5 m long cable for the junction box – display connection (the cables are included in the price of the set).

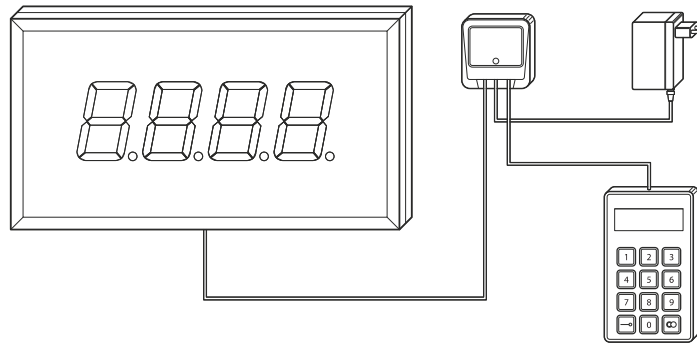
Note

The power supply wires, together with the data wires, are joined into one input/output RJ-11 6/6 connector (display, keypad). The keypad, the junction box and the display can be interconnected very easily by means of the flat cable. The junction box has two RJ-11 6/6 connectors for the connection of the display and the keypad, which are identical and mutually interchangeable in terms of connections.

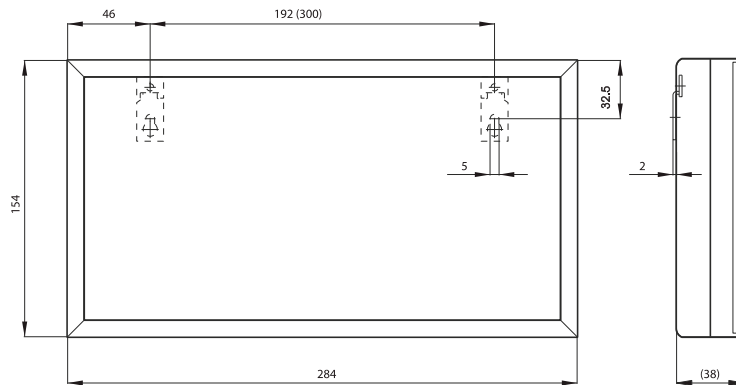
Numerical call displays with a sound signal

NDS Series

Connection diagram of NDS display and keypad



Dimensional drawing of the NDS 57/4 and NDS 57/6 displays



Dimensions in the brackets are valid for the NDS 57/6 type.