

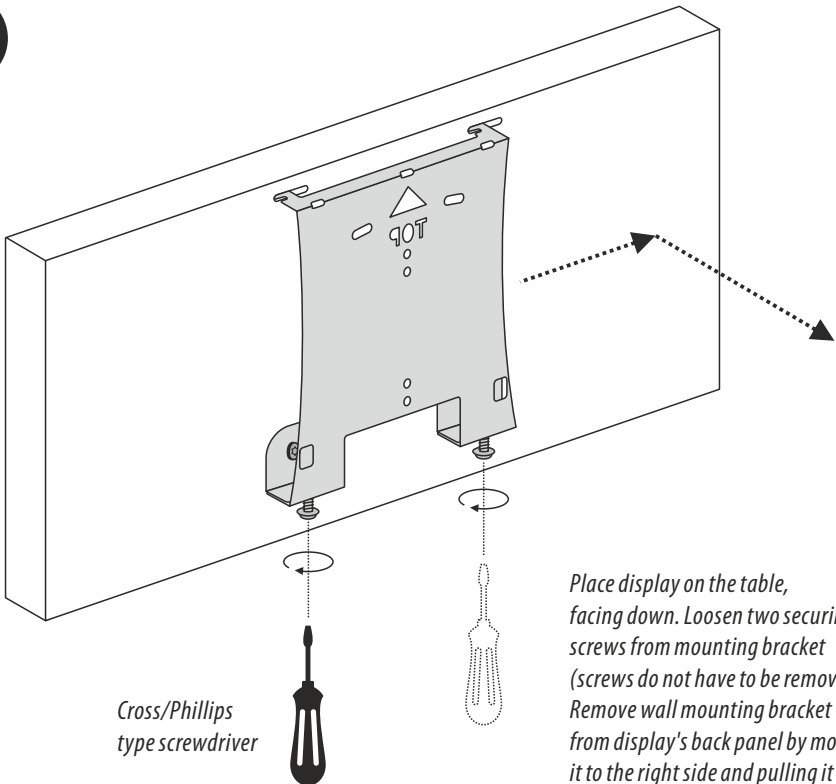


CDN Series Displays

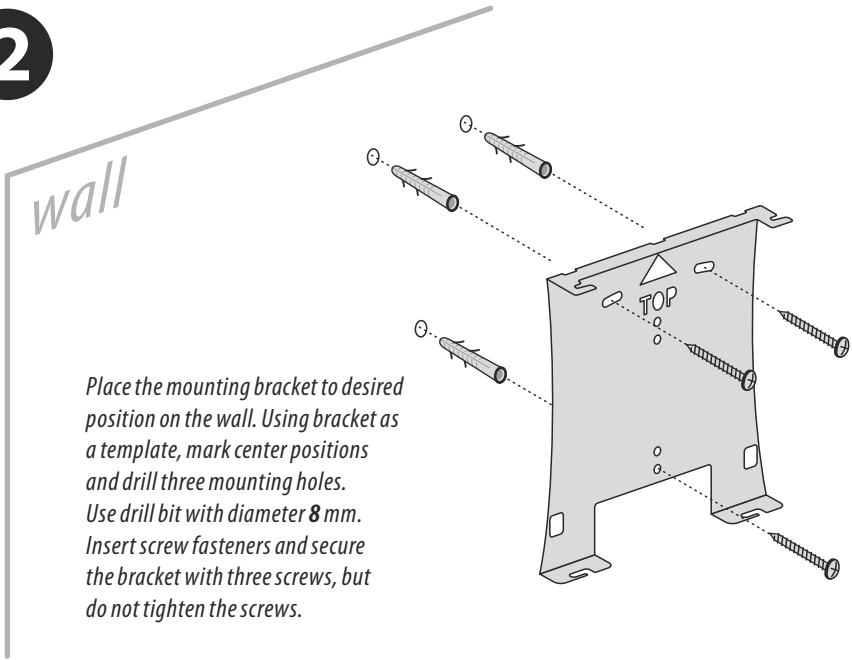
Wall Mounting Instructions

*Display was shipped with a wall mounting bracket pre-installed on the back panel.
Please follow these instructions to install display on the wall using its mounting bracket.*

1

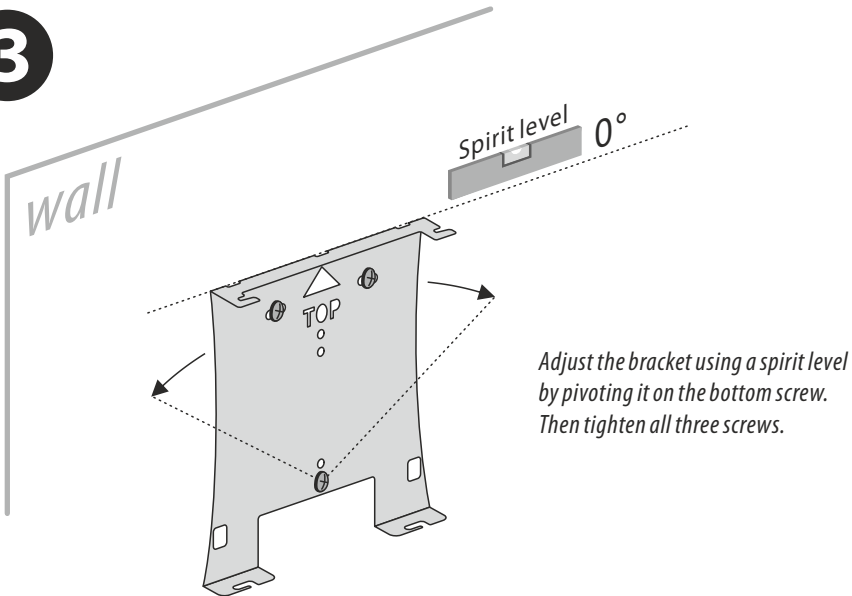


2



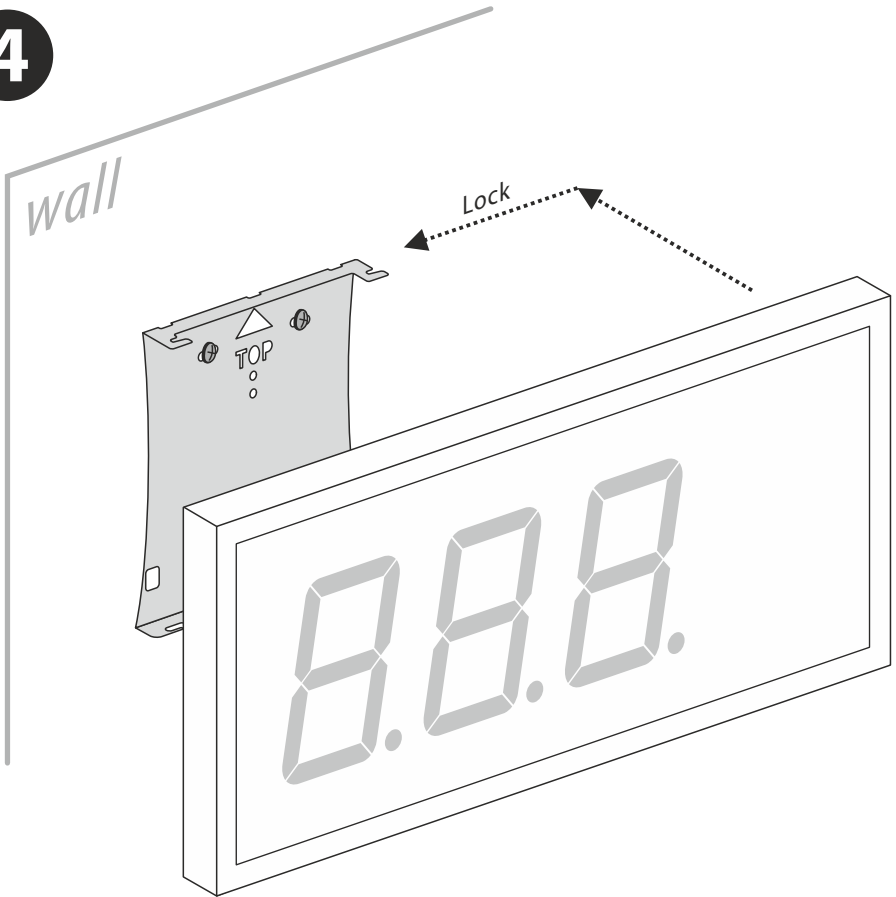
Place the mounting bracket to desired position on the wall. Using bracket as a template, mark center positions and drill three mounting holes. Use drill bit with diameter 8 mm. Insert screw fasteners and secure the bracket with three screws, but do not tighten the screws.

3



Adjust the bracket using a spirit level by pivoting it on the bottom screw. Then tighten all three screws.

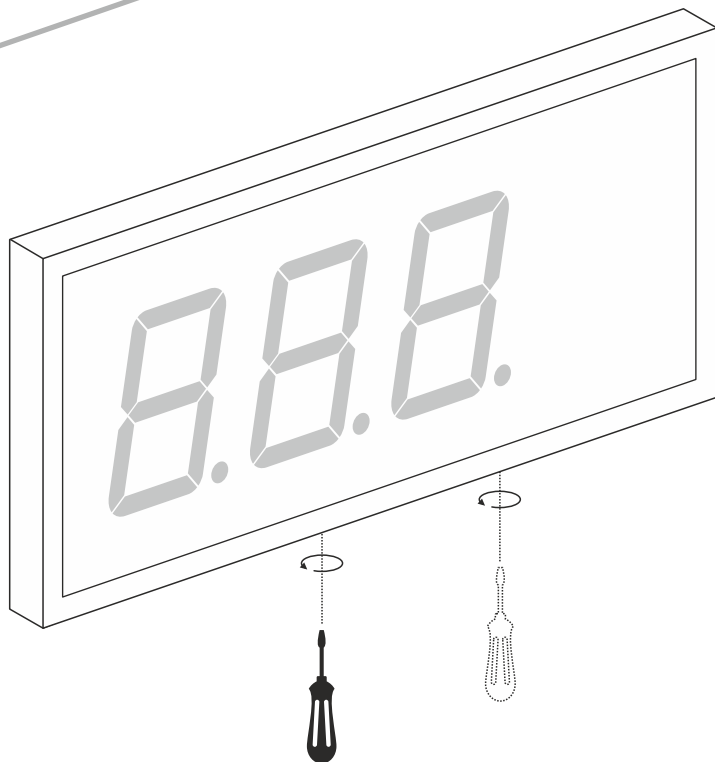
4



*Insert display onto the mounting bracket
and latch it in by moving it to the left side.*

5

wall



*Tighten two securing screws,
which were loosened in **point 1**.*