

DATASHEET

Product name	Temperature and Humidity Sensor	
Type / Model	THS Sensor 40 12DC Wi-Fi	
Order Code	ZZ0809-7.00	Date of last revision: 13.02.2020

The **THS SENSOR 40 12DC Wi-Fi** is an air temperature and humidity sensor with Wi-Fi interface for transmitting measured values to a master device. It can be used in computer controlled measurement systems or as a peripheral device to a large-size LED display, which displays the measured values.

External power supply adapter 230VAC/12VDC is required to power the sensor (included).



*Detachable sensor probe
3,5 mm Jack connector*

Connections



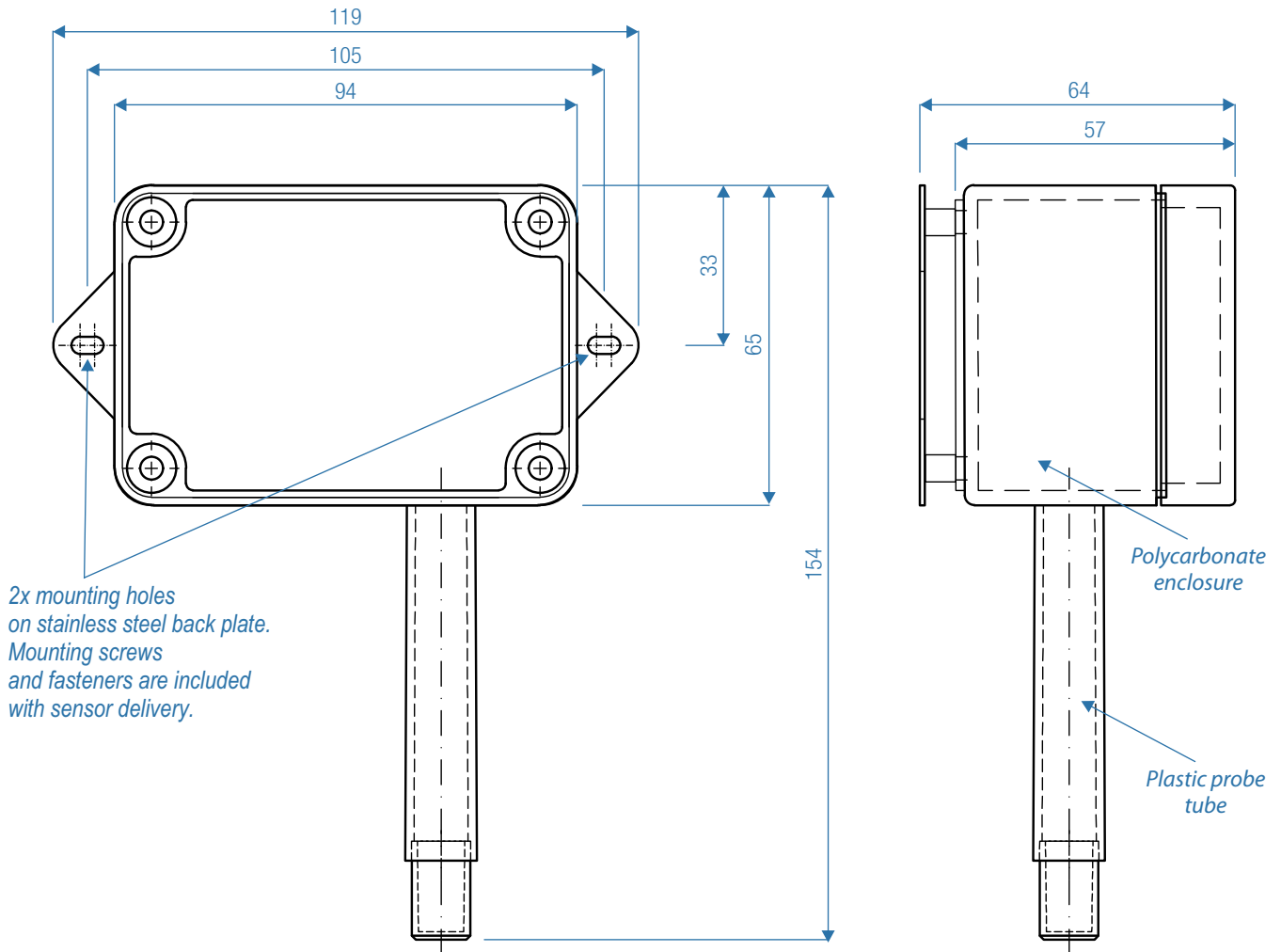
*1x Power supply
12 VDC / 500mA*

*Sensor protection
stainless steel sintered cap*

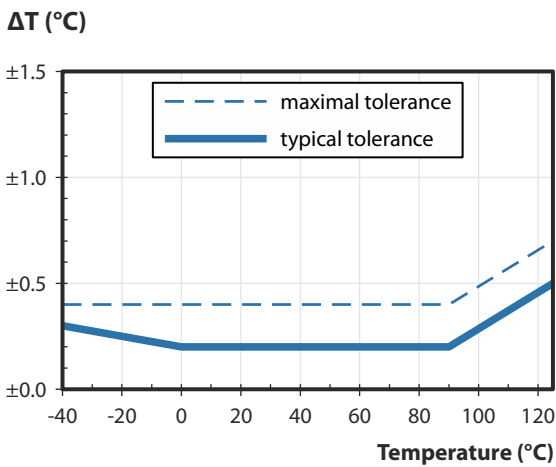
Technical Specifications

Sensor type	Sensirion SHT31-DIS
Temperature range	-40 °C to +80 °C
Typical temperature accuracy	±0,3 °C (±0,2 °C for T>0 °C)
Relative humidity range	0 to 100 % RH
Typical relative humidity accuracy	±2 % RH
Communication interface	Wireless LAN Wi-Fi, IEEE 802.11 a/b/g (2.4 GHz only) Support - WEP(Client only), WPA-Personal, WPA2-Personal
Communication protocol	Modbus TCP, TCP/IP (ASCII)
Software	<i>DataLoggerTH</i> for Windows (available for download)
Environment of use	interior (IP 40)
Power supply	adapter 12 VDC/500 mA (included)
Compatibility	used with LED displays ELEN, NDA series, or stand-alone

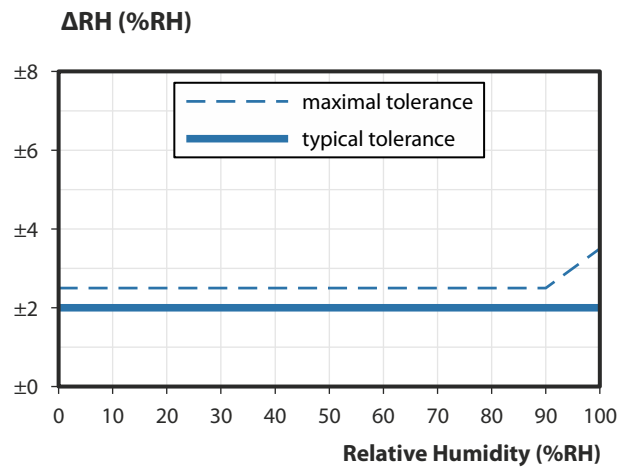
Dimensional Drawing (mm)



Graphs - Sensirion SHT31 parameters



Graph No. 1: Accuracy for temperature in °C.



Graph No. 2: Accuracy for relative humidity at 25°C.