

DATASHEET

Product name	Air Temperature and Humidity Sensor	
Type / Model	THS Sensor 40 PoE LAN	
Order Code	ZZ0809-3.xx	Date of last revision: 31.08.2018

THS Sensor 40 PoE LAN is an electronic device for measuring air temperature and humidity. It provides accurate real time measurements and can function as a stand alone device or in connection with a large size LED display.

Measured values can be read by external LED display, viewed in Internet web browser or stored in database and evaluated on PC with DataLoggerTH software.

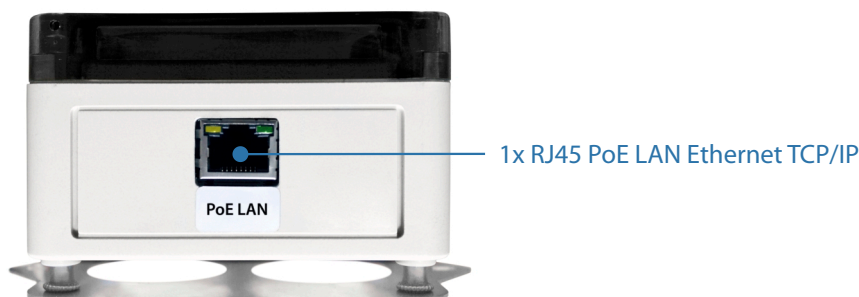
Its network parameters: IP address, Subnet mask and Gateway are set in factory as per customer specification or by user in web browser.

Sensor is powered directly via LAN PoE interface, no additional power supply source is necessary.



*Sensor probe
detachable (removable)
with 3,5 mm Jack connector*

Connections

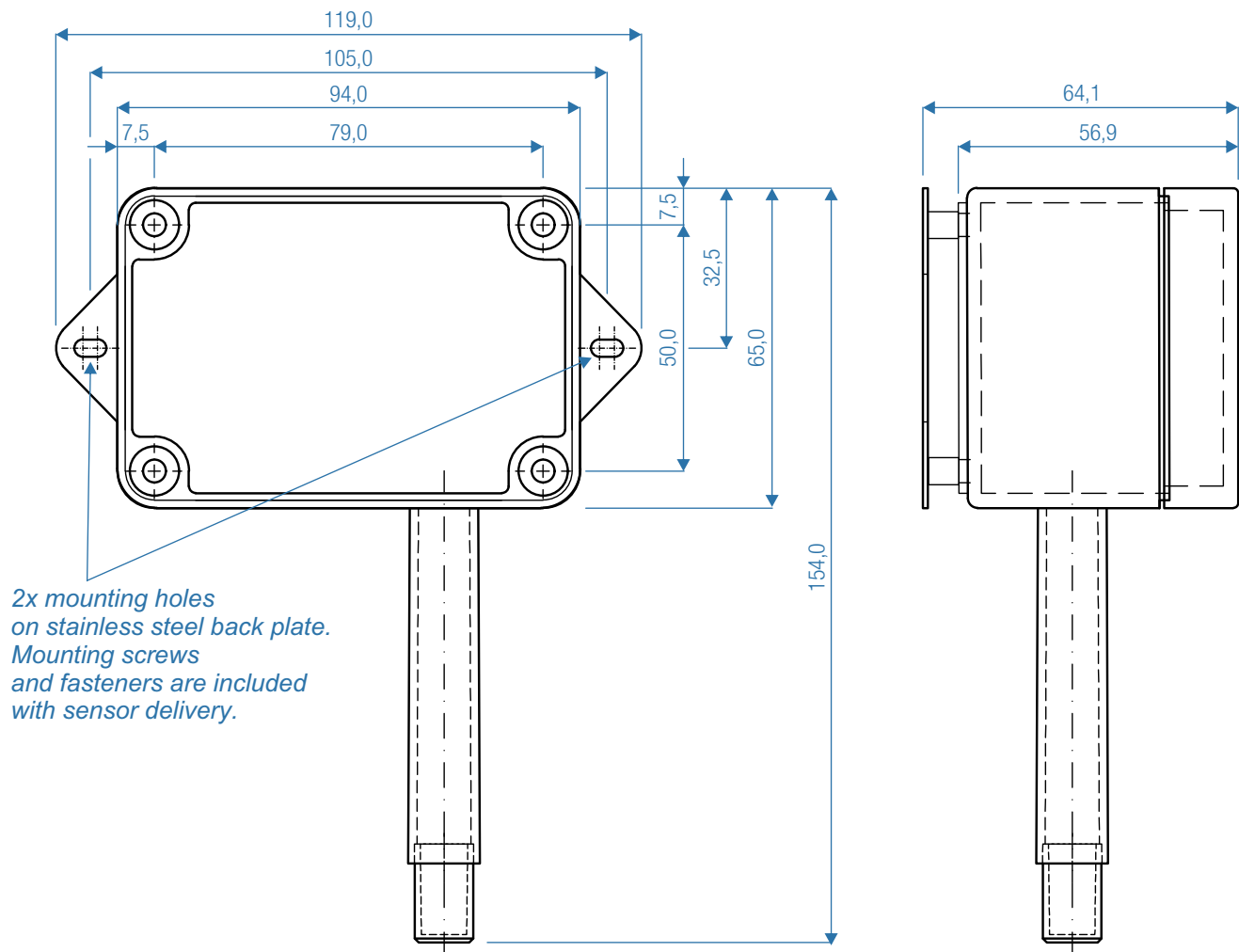


*Sensor protection
stainless steel sintered cap*

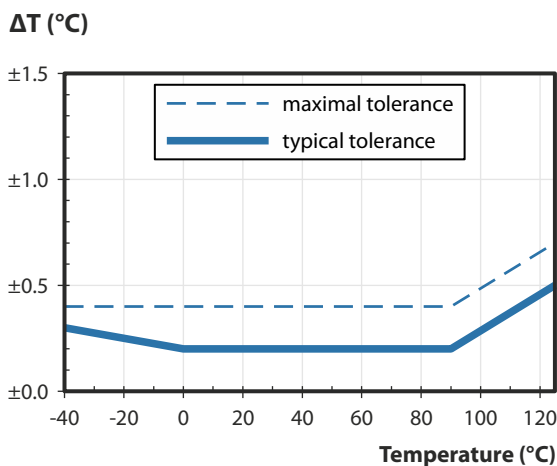
Temperature and Humidity Sensor Technical Specifications

Temperature measurement range	-30°C ~ +70°C
Temperature precision	±0,3°C typical, see graph No. 1 on page 2
Humidity measurement range	0% ~ 100%
Humidity precision	±2% RH typical, see graph No. 2 on page 2
Communication interface	LAN, Ethernet
Communication protocol	TCP/IP (protocol description available on request)
Power supply	PoE, powered directly from LAN PoE switch device
Class of protection	IP 40, suitable for indoor use only
Dimensions	119 mm x 154 mm x 64 mm (see dimensional drawing on page 2)
Sensor type	Sensirion SHT31

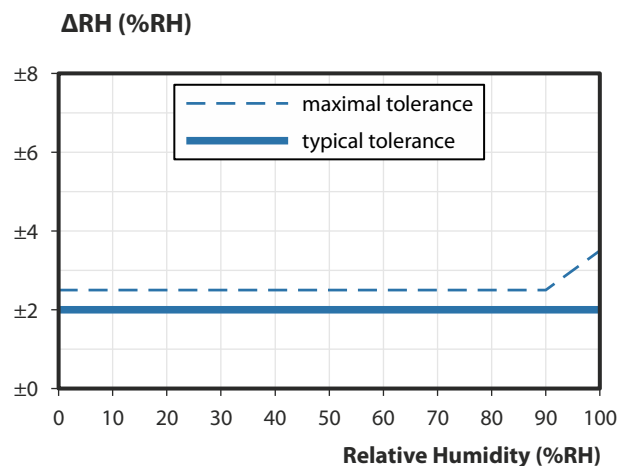
Dimensional Drawing (mm)



Graphs - Sensirion SHT31 parameters



Graph No. 1: Accuracy for temperature in °C.



Graph No. 2: Accuracy for relative humidity at 25°C.