

## DATASHEET

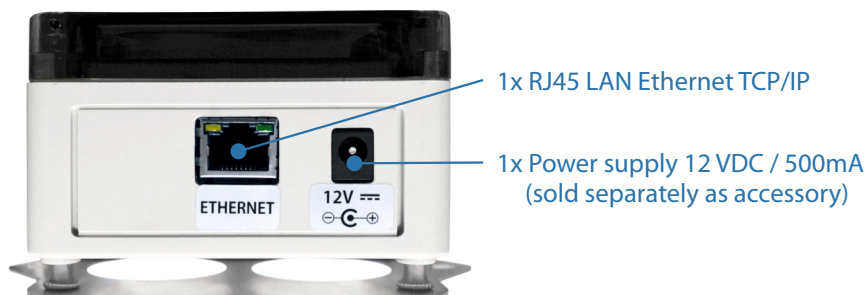
<b>Product name</b>	<b>Air Temperature and Humidity Sensor</b>	
<b>Type / Model</b>	<b>THS Sensor 40 12DC LAN</b>	
<b>Order Code</b>	<b>ZZ0809-4.xx</b>	Date of last revision: 31.08.2018

THS Sensor 40 12DC LAN is an electronic device for measuring air temperature and relative humidity. It provides accurate real time measurements and can function as a stand alone device or in connection with a large size LED display. Measured values can be read by external LED display, viewed in Internet web browser or stored in database and evaluated on PC with DataLoggerTH software. Its network parameters: IP address, Subnet mask and Gateway are set in factory as per customer specification or by user in web browser.

External power supply adapter 230VAC/12VDC is required to power the sensor. (Order code: KTR-0020).



### Connections

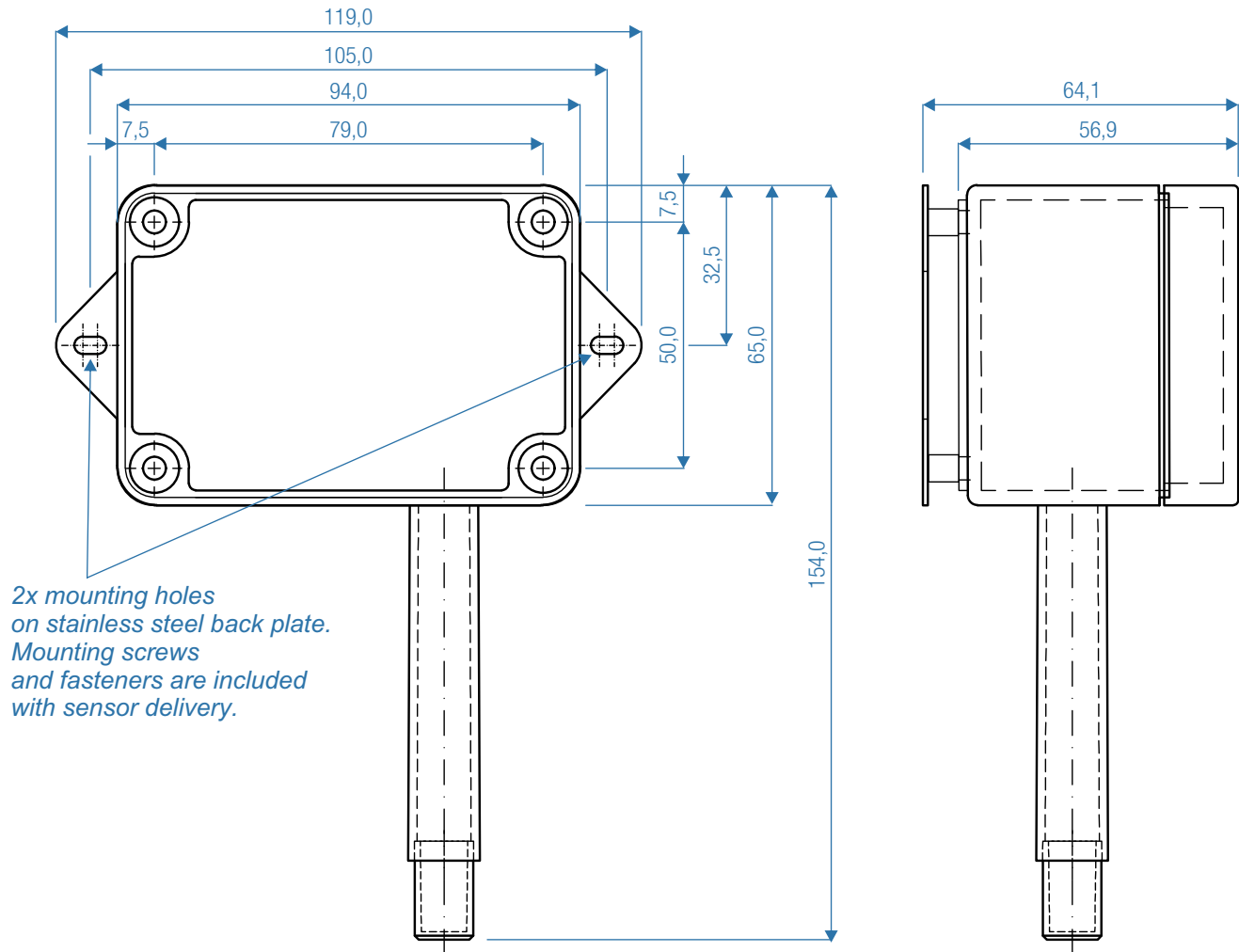


### Temperature and Humidity Sensor Technical Specifications

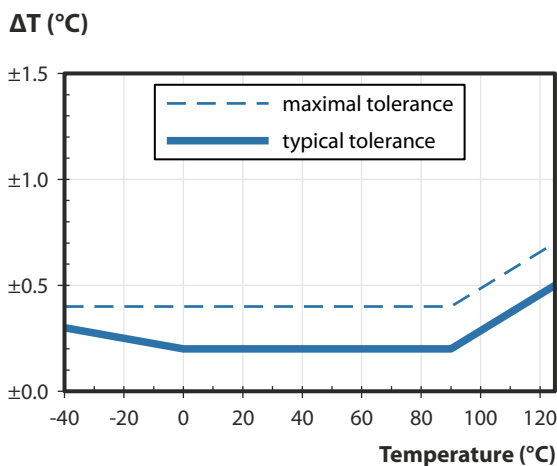
<b>Temperature measurement range</b>	-30°C ~ +70°C
<b>Temperature precision</b>	±0,3°C typical, see graph No. 1 on page 2 for more information
<b>Humidity measurement range</b>	0% ~ 100%
<b>Humidity precision</b>	±2% RH typical, see graph No. 2 on page 2 for more information
<b>Communication interface</b>	LAN, Ethernet
<b>Communication protocol</b>	TCP/IP (protocol description available on request)
<b>Power supply</b>	12 VDC / 500 mA by standard**, or other source 7 ~ 32 VDC
<b>Class of protection</b>	IP 40, suitable for indoor use only
<b>Dimensions</b>	119 mm x 154 mm x 64 mm (see dimensional drawing on page 2)
<b>Sensor type</b>	Sensirion SHT31

\*\* Sensor is normally powered from an external power supply adapter, 230VAC/12VDC, order code: KTR-0020.

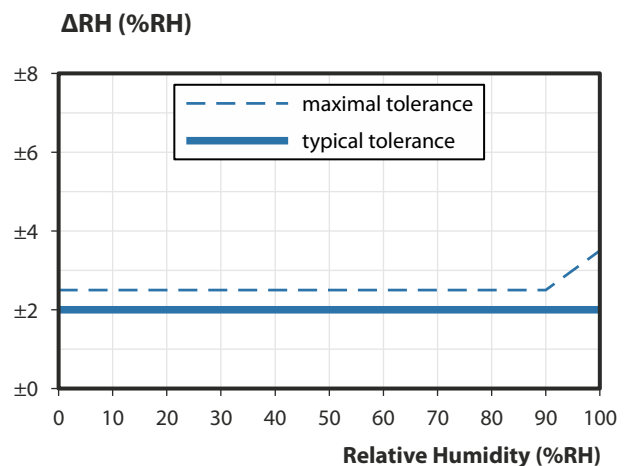
**Dimensional Drawing (mm)**



**Graphs - Sensirion SHT31 parameters**



**Graph No. 1:** Accuracy for temperature in °C.



**Graph No. 2:** Accuracy for relative humidity at 25°C.